

4

3

2

1

D

D

C

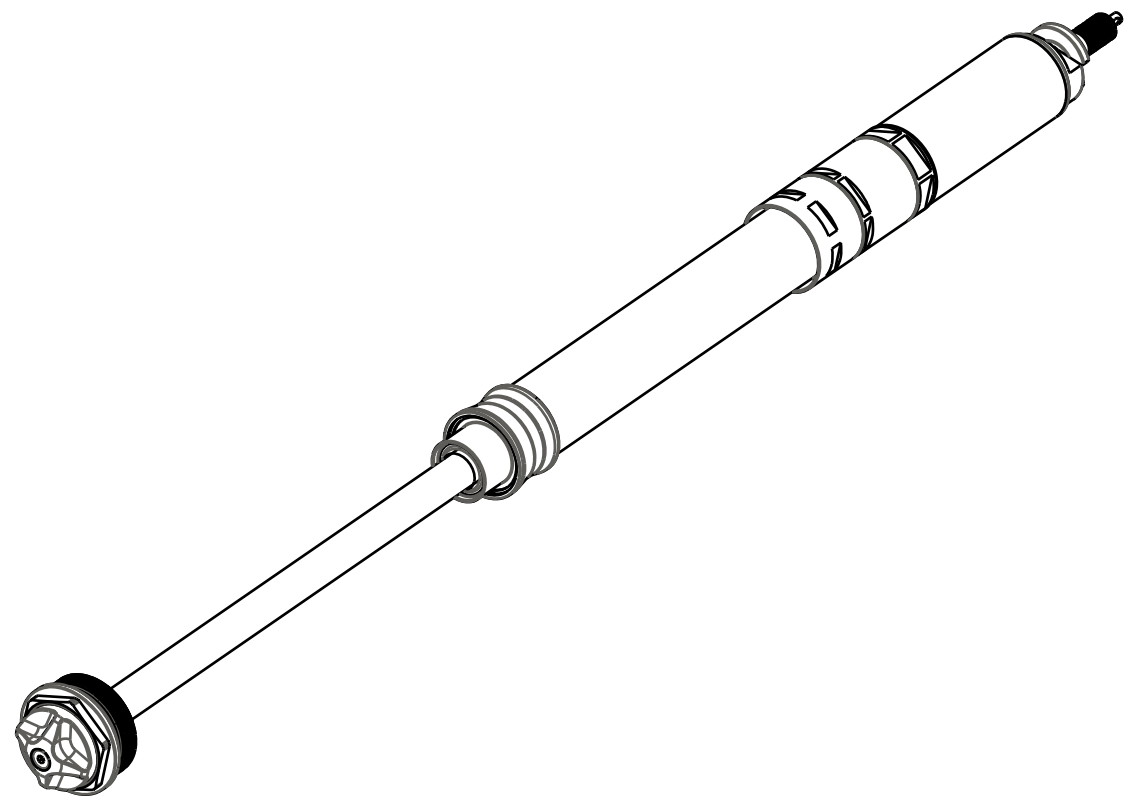
C

B

B

A

A



Damper Assy, MY11 32 X

Retaining Ring: Snap, Smalley, Internal, Custom, Ø.923 BORE

038-00-065

210-22-394  
BLADDER RING, UPPER, 2011 32 TERRALOGIC

210-22-392  
BLADDER RING, LOWER, 2011 32 X

IMPORTANT:  
LUBRICATE OUTSIDE OF BLADDER  
ON BOTH ENDS WITH  
SLICK HONEY

Bladder

210-22-427  
COUPLER TUBE, BLADDER, MY11 32 X

TORQUE:  
75±5 IN.LB.

BASE VALVE ASSY, 2011 32 80-150 TERRALOGIC

210-22-426  
SET SCREW, CUSTOM, BLEED, 2011 32 TERRALOGIC

820-05-185-KIT

029-08-103  
2.5MM ID x 1.5MM CS

GREASE:  
THIN LAYER

TORQUE:  
3±1 IN.LB.

IMPORTANT:  
LUBRICATE INSIDE OF BLADDER  
ON BOTH ENDS WITH  
SILKOLENE 10 WT

TORQUE:  
110±5 IN.LB.

TORQUE:  
110±5 IN.LB.

810-00-090-KIT

Inertia Valve Cartridge, 2011 32 TerraLogic

TORQUE:  
75±5 IN.LB.

TORQUE:  
75±5 IN.LB.

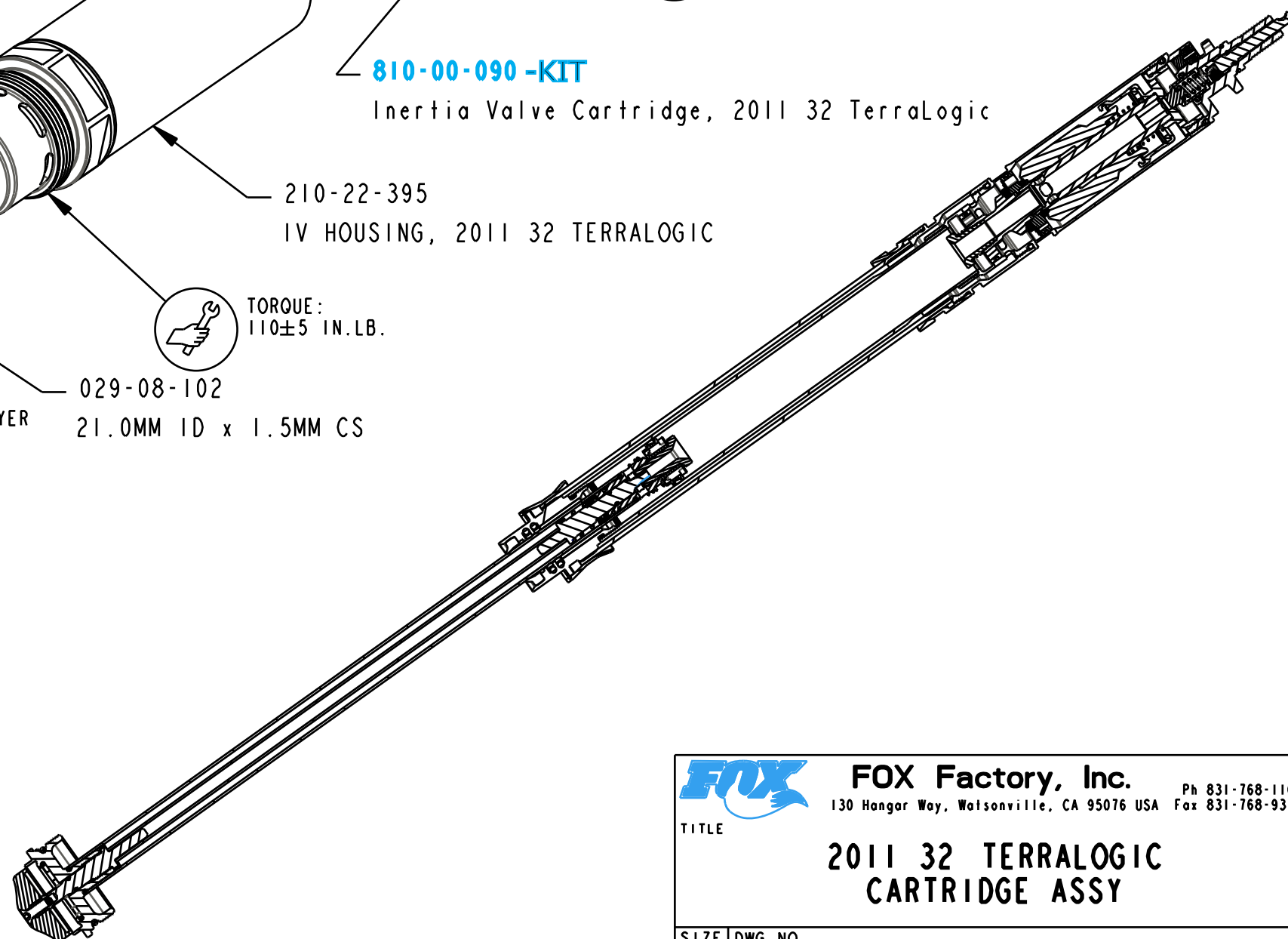
210-22-395  
IV HOUSING, 2011 32 TERRALOGIC

TORQUE:  
110±5 IN.LB.

029-08-102  
21.0MM ID x 1.5MM CS

GREASE:  
THIN LAYER

Cartridge Body



PROPRIETARY - THIS DOCUMENT CONTAINS CONFIDENTIAL, PROPRIETARY INFORMATION THAT IS FOX PROPERTY. DO NOT DISCLOSE TO OR DUPLICATE FOR OTHERS EXCEPT AS AUTHORIZED BY FOX.

FOX Factory, Inc. Ph 831-768-1100  
130 Hongar Way, Watsonville, CA 95076 USA Fax 831-768-9312

TITLE  
2011 32 TERRALOGIC  
CARTRIDGE ASSY

SIZE DWG. NO.  
C  
PLOT SCALE 1:1 SHEET 1 OF 1

4

3

2

1

ProE ASSEM